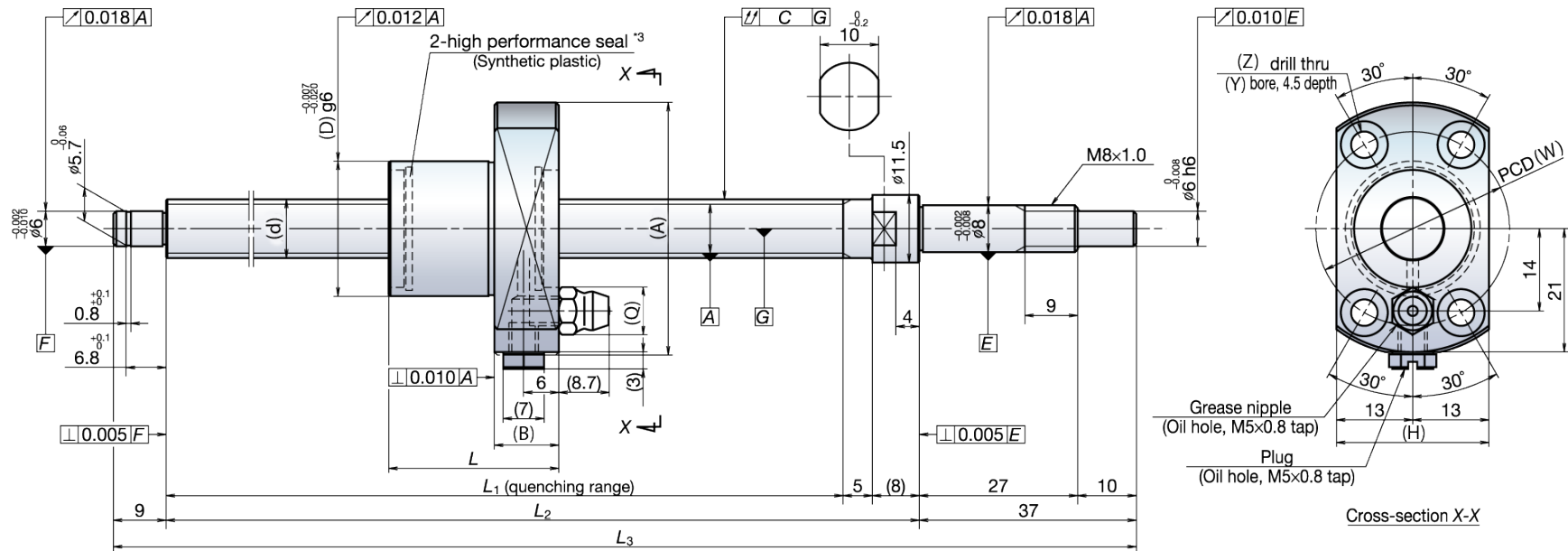


NSK-CFA10 - Ball Screws

DIMENSIONS



SPECIFICATIONS

Item	Screw Dimensions (mm)						Nut Dimensions (mm)						Force Dimensions (Kgf)		Permissible Rotational Speed (min ⁻¹)	Shaft Runout C	Stroke				
	Screw Length	d	l	L ₁	L _a	L _o	D	A	B	L	W	H	Y	Z			Q	Ca	Coa	Fixed-Simple	Nominal
BSC-NSK-CFAR-010-05-GC5-P1-171	171	10	5	112	125	171	23	43	11	29	33	26	8	4.5	8.1	244	488	5000	0.018	50	83
BSC-NSK-CFAR-010-05-GC5-P1-221	221	10	5	162	175	221	23	43	11	29	33	26	8	4.5	8.1	244	488	5000	0.045	100	133
BSC-NSK-CFAR-010-05-GC5-P1-321	321	10	5	262	275	321	23	43	11	29	33	26	8	4.5	8.1	244	488	5000	0.060	200	233
BSC-NSK-CFAR-010-05-GC5-P1-421	421	10	5	362	375	421	23	43	11	29	33	26	8	4.5	8.1	244	488	5000	0.070	300	333
BSC-NSK-CFAR-010-05-GC5-P1-521	521	10	5	462	475	521	23	43	11	29	33	26	8	4.5	8.1	244	488	5000	0.085	400	433
BSC-NSK-CFAR-010-10-GC5-P1-221	221	10	10	162	175	221	23	43	11	32	33	26	8	4.5	8.1	201	307	5000	0.045	100	130
BSC-NSK-CFAR-010-10-GC5-P1-321	321	10	10	262	275	321	23	43	11	32	33	26	8	4.5	8.1	201	307	5000	0.060	200	230
BSC-NSK-CFAR-010-10-GC5-P1-421	421	10	10	362	375	421	23	43	11	32	33	26	8	4.5	8.1	201	307	5000	0.070	300	330
BSC-NSK-CFAR-010-10-GC5-P1-521	521	10	10	462	475	521	23	43	11	32	33	26	8	4.5	8.1	201	307	5000	0.085	400	430

*Available in Right Helix only.

*PLEASE NOTE - Each standard ball screw includes **one** nut. Additional nuts will be considered a custom request, and will require creation of a special part number.

L011180